

**PROCESSOR
DSP AUDIO**

252 SHEET 4

RECEIVER
246 GND RX-ANT SHEET 3

SYNTH-VCO
2922 GND

VCO sheet 6

POWER-AMP
93 GND RX-ANT SHEET 2

Interface PCB

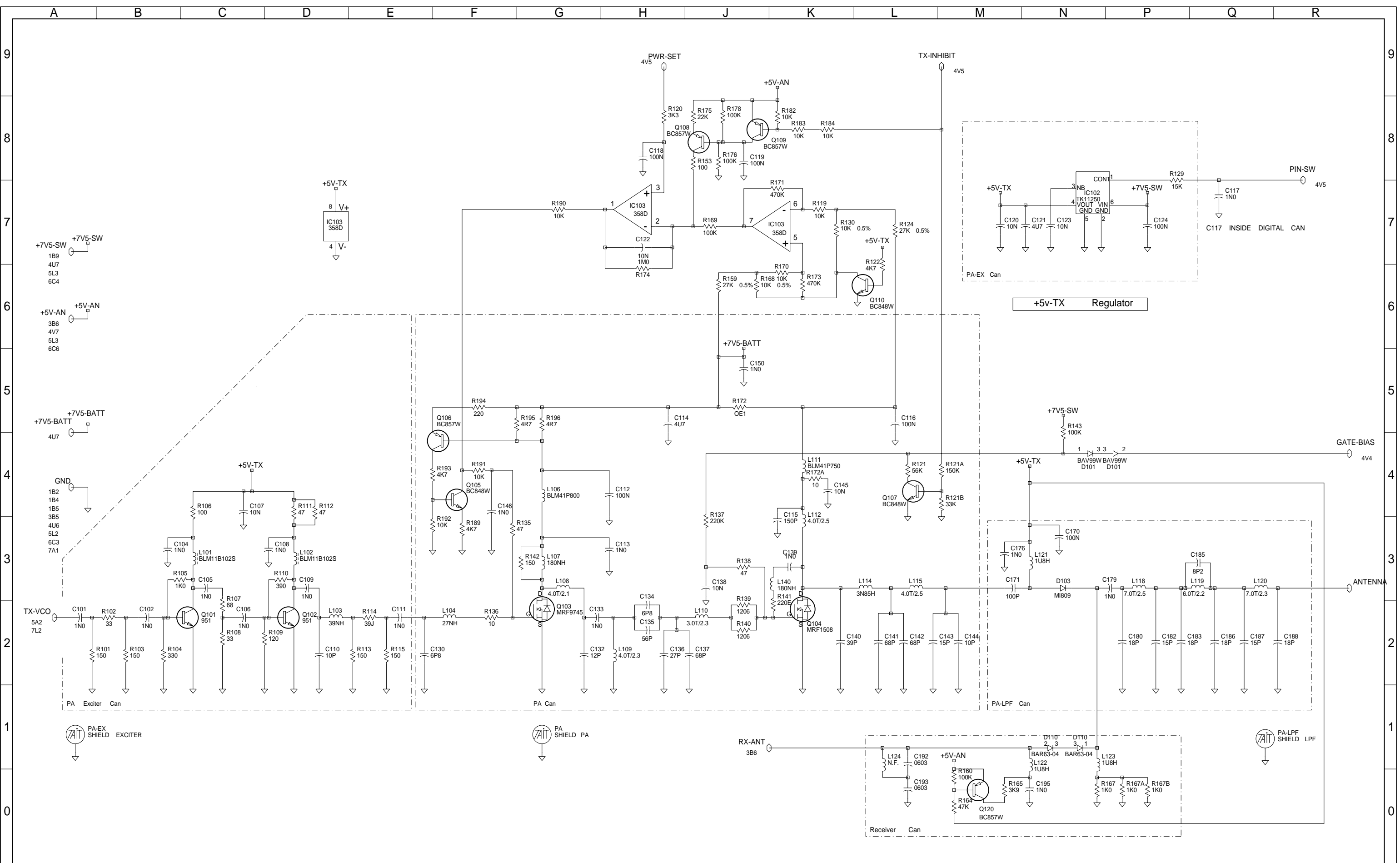
Connector Accessory

22WAY SIDE ENTRY FLEXI BRD SKT
12 WAY SKT

© TAIT ELECTRONICS	
ORCA :TP010-3122	136-174MHZ
SYSTEM DIAGRAM	
IPN: 220-01401-04	ISSUE: C
DESIGNER: TAIT ORCA	FILE DATE: 11-03-99
BRD: 140104C	NO. SHEETS: 7

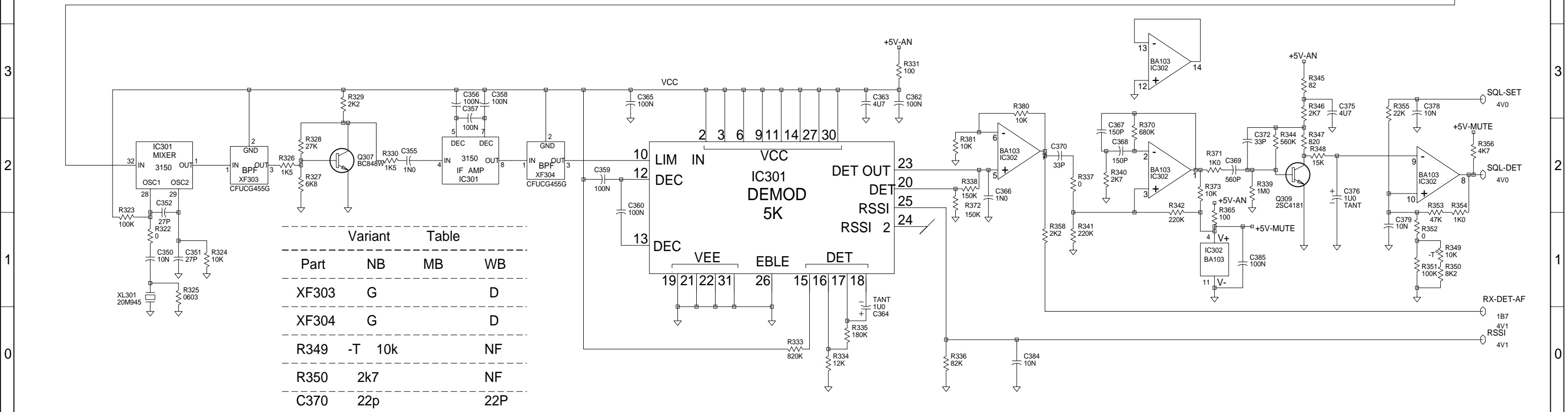
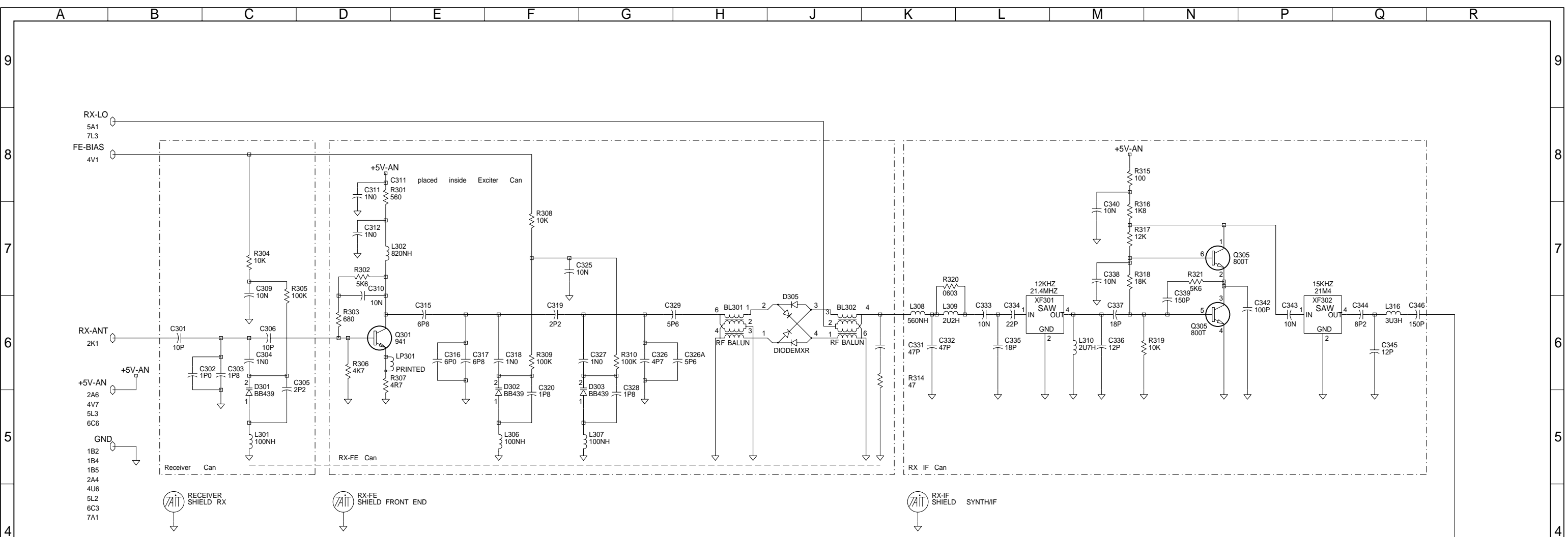
VHF
Tait Orca

04 A	MORE PA MODS	DBH	DBH	CI	31/03/98
03 A	UPDATE TO INCL. NEW PA LINEUP	DJW/MJ			29/04/98
REV/ISS	AMENDMENTS	DRAWN	CHKD	D.O.	APVD DATE



© TAIT ELECTRONICS
 ORCA :TP010-3122 136-174MHZ
 POWER AMPLIFIER
 IPN: 220-01401-04 ISSUE: C ID: 2.S.C. 2
 PROJECT: TAIT ORCA DESIGNER: BRD FILE NAME: 140104C FILE DATE: 11-03-99 NO.SHEETS: 7

03A	NEW PA LINEUP (DW,BC-S,LL)	DJW			29/04/98
REV/ISS	AMENDMENTS	DRAWN	CHKD	D.O.	APVD DATE

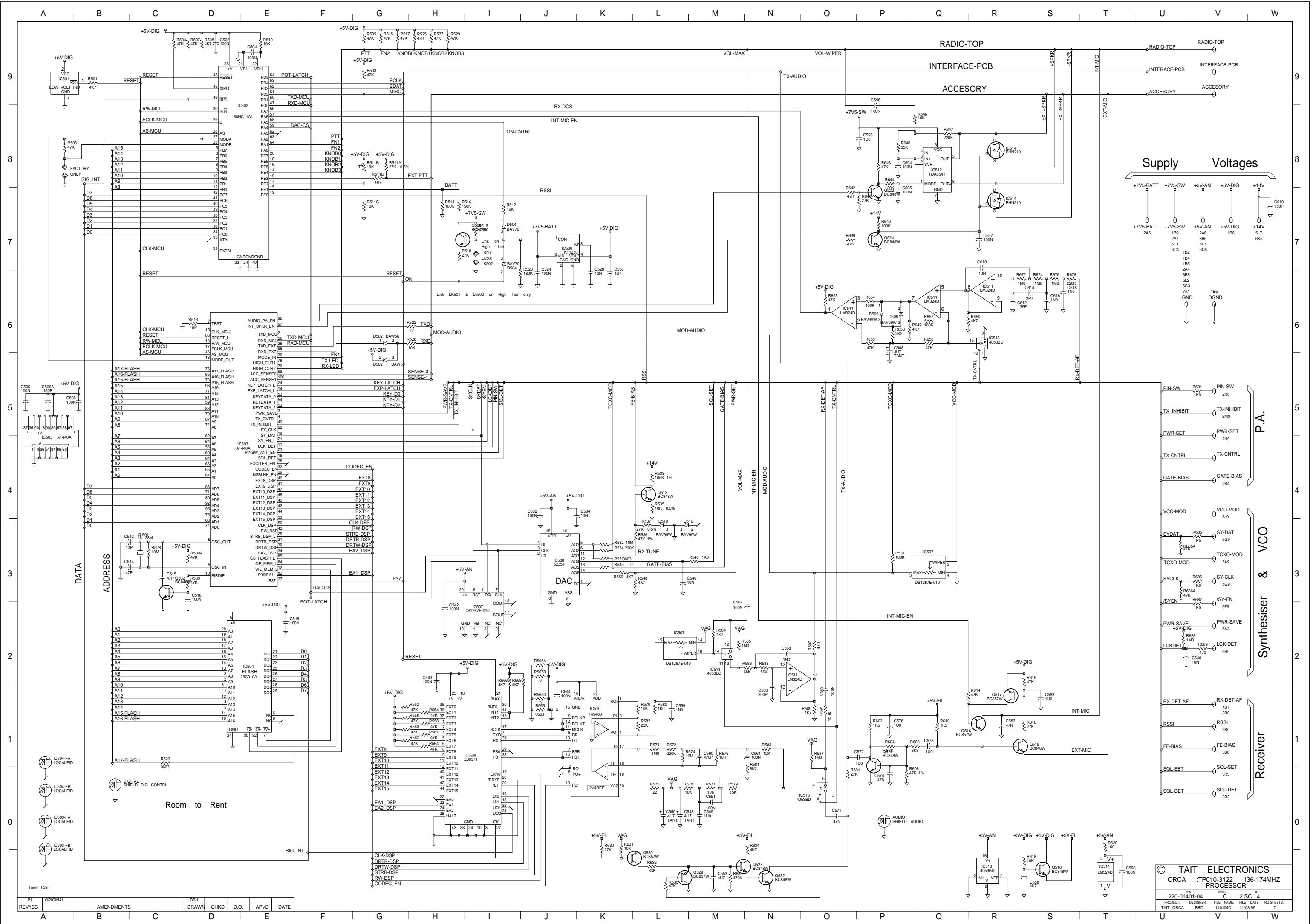


Variant Table

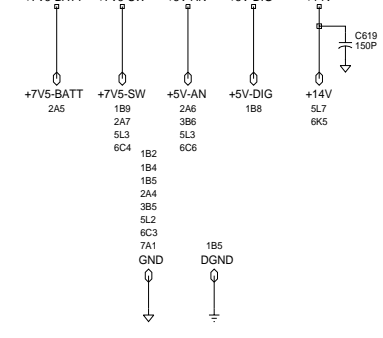
Part	NB	MB	WB
XF303	G		D
XF304	G		D
R349	-T	10k	NF
R350	2k7		NF
C370	22p		22P
C369	330P		330P

04C	500185	ROTATED TANT	C364	180	DEG	BRD			05-03-99	
03 A		COMP.VALUE CHANGES					DJW		28/04/98	
REV/ISS		AMENDMENTS				DRAWN	CHKD	D.O.	APVD	DATE

© TAIT ELECTRONICS
 ORCA :TP010-3122 136-174MHZ RECEIVER
 IPN: 220-01401-04 ISSUE: C ID: 2.S.C. 3
 PROJECT: TAIT ORCA BRD DESIGNER: FILE NAME: 140104C FILE DATE: 11-03-99 NO.SHEETS: 7



Supply Voltages



- PIN-SW 288
- TX-INHIBIT 289
- PWR-SET 289
- TX-CNTRL 289
- GATE-BIAS 284
- VCO-MOD 510
- SYDAT 509
- TCXO-MOD 549
- SYCLK 509
- SYEN 509
- PWR-SAVE 542
- LCKDET 549
- RX-DET-AF 380
- RSSI 380
- FE-BIAS 388
- SOL-SET 383
- SOL-DET 382

P.A.

Synthesiser & VCO

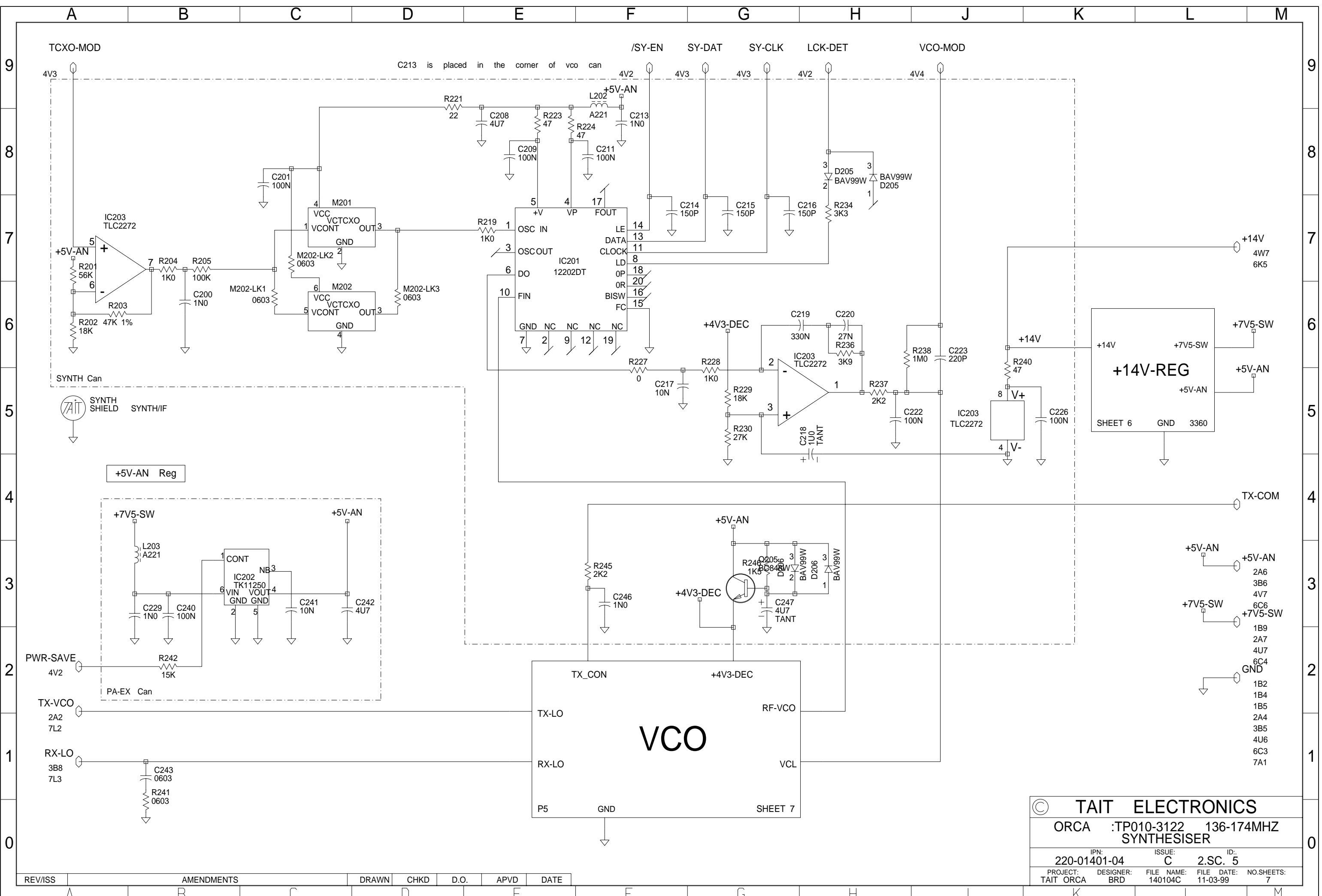
Receiver

Room to Rent

© TAIT ELECTRONICS
 ORCA :TP010-3122 136-174MHZ
 PROCESSOR
 220-01401-04 C 2 SC 4
 PRODUCT DESIGNER FILE NAME FILE DATE NO SHEETS
 TAIT ORCA BRD 140104C 11-03-99 7

REV/ISS	ORIGINAL	AMENDMENTS	DBH	DRAWN	CHKD	D.O.	APVD	DATE
P1								

Toms Can



C213 is placed in the corner of vco can

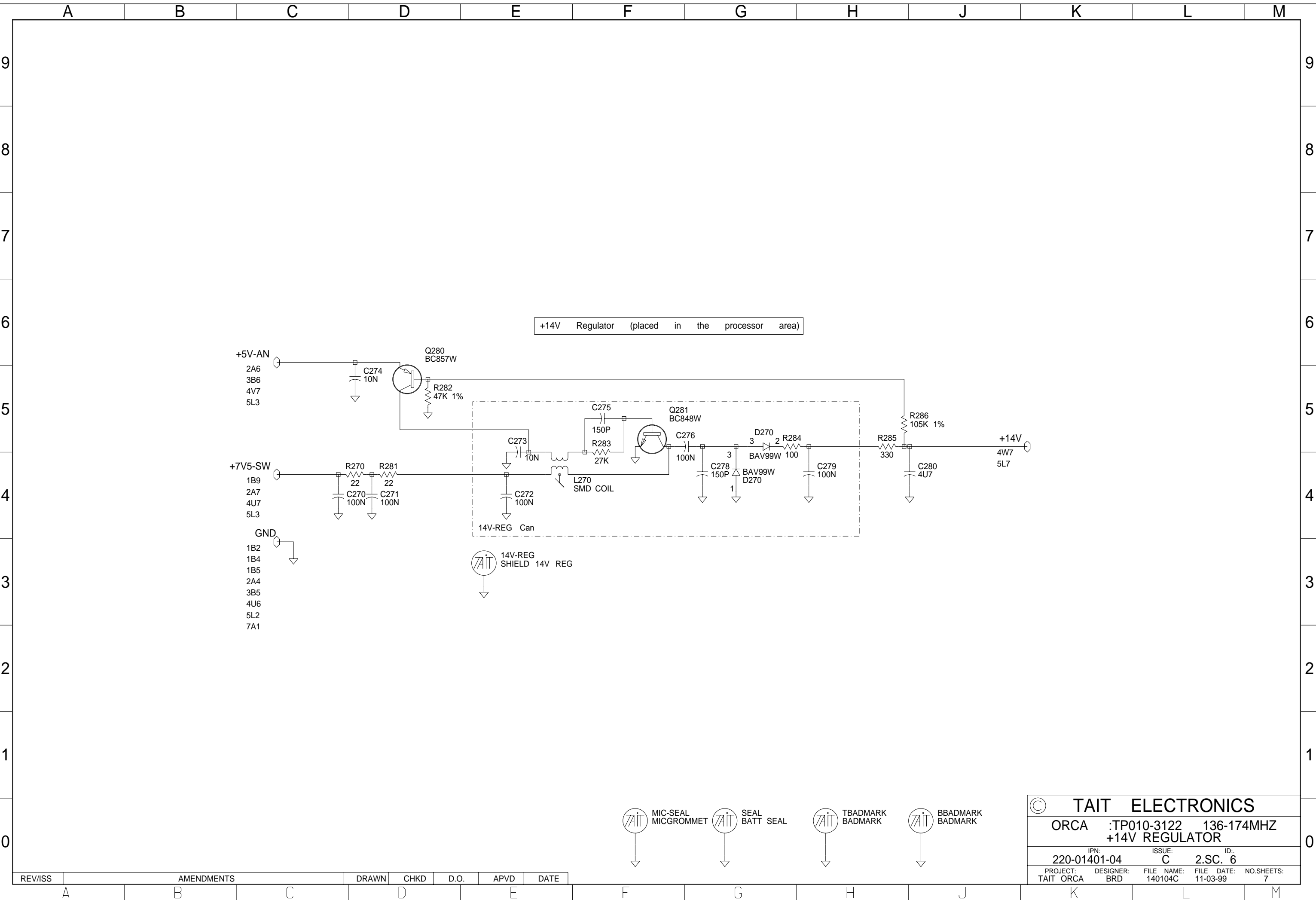
+14V-REG
SHEET 6
GND 3360

VCO
SHEET 7
P5 GND

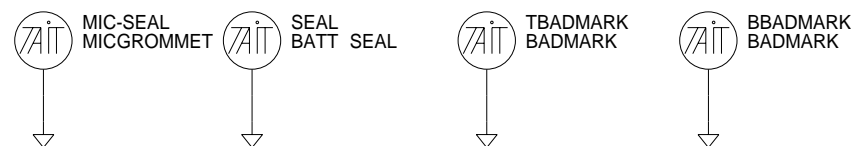
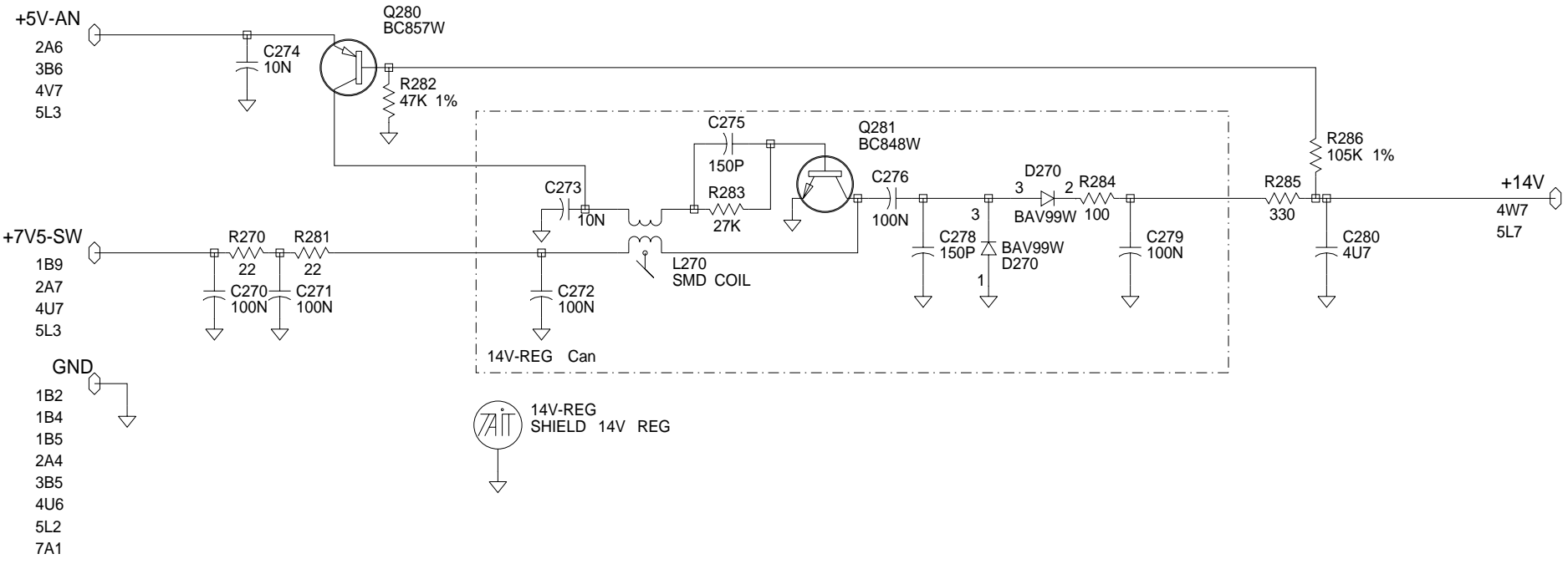
- +5V-AN 2A6
- +5V-AN 3B6
- +5V-AN 4V7
- +7V5-SW 6C6
- +7V5-SW 1B9
- +7V5-SW 2A7
- +7V5-SW 4U7
- GND 6C4
- 1B2
- 1B4
- 1B5
- 2A4
- 3B5
- 4U6
- 6C3
- 7A1

© TAIT ELECTRONICS				
ORCA	:TP010-3122	136-174MHZ	SYNTHESISER	
IPN:	ISSUE:	ID:		
220-01401-04	C	2.SC. 5		
PROJECT:	DESIGNER:	FILE NAME:	FILE DATE:	NO.SHEETS:
TAIT ORCA	BRD	140104C	11-03-99	7

REV/ISS	AMENDMENTS	DRAWN	CHKD	D.O.	APVD	DATE

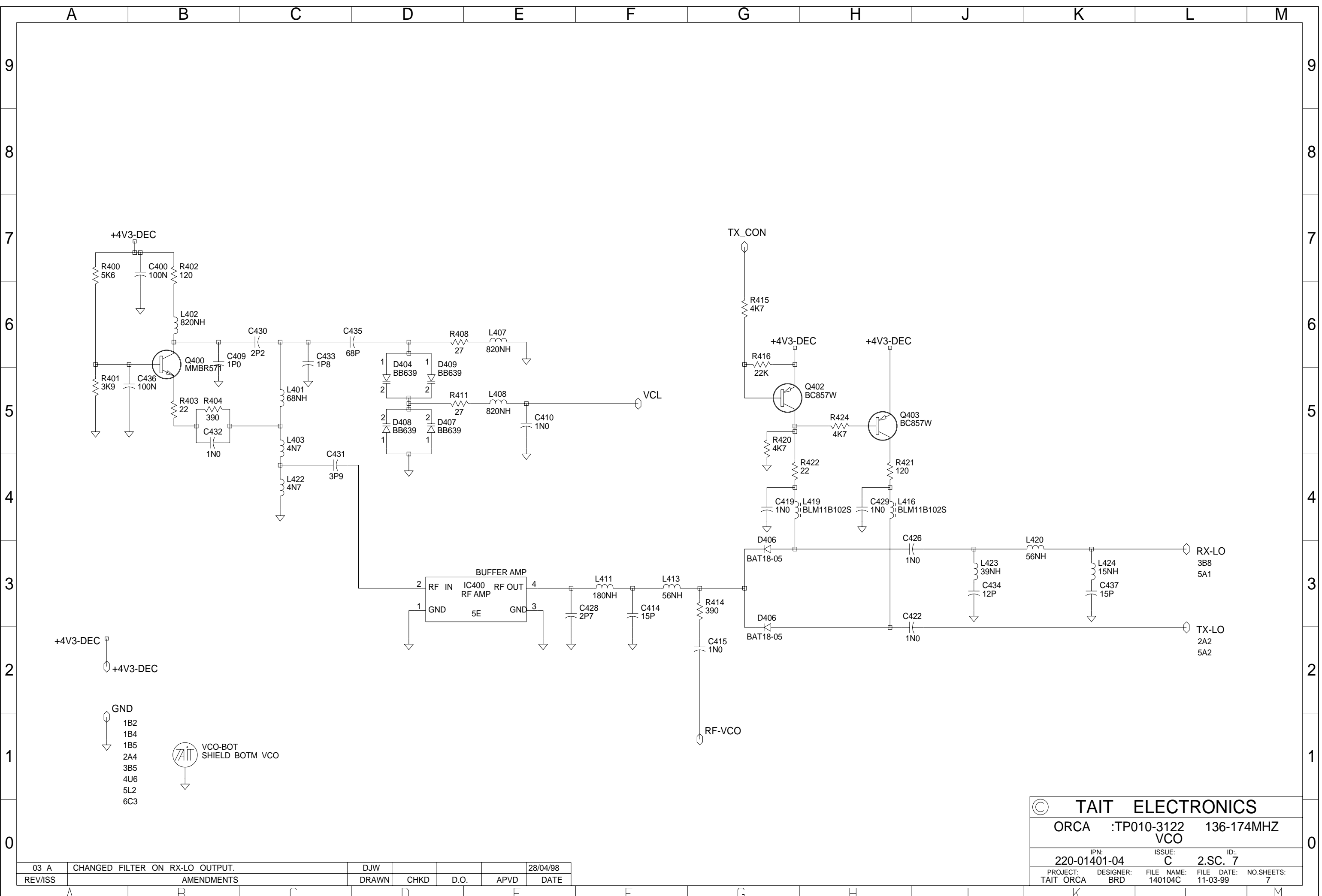


+14V Regulator (placed in the processor area)



© TAIT ELECTRONICS				
ORCA		TP010-3122	136-174MHZ	
+14V REGULATOR				
IPN:		ISSUE:		ID:
220-01401-04		C		2.SC. 6
PROJECT:	DESIGNER:	FILE NAME:	FILE DATE:	NO.SHEETS:
TAIT ORCA	BRD	140104C	11-03-99	7

REV/ISS	AMENDMENTS	DRAWN	CHKD	D.O.	APVD	DATE
---------	------------	-------	------	------	------	------



© TAIT ELECTRONICS				
ORCA	:TP010-3122	136-174MHZ	VCO	
220-01401-04	ISSUE: C	ID: 2.SC. 7		
PROJECT: TAIT ORCA	DESIGNER: BRD	FILE NAME: 140104C	FILE DATE: 11-03-99	NO.SHEETS: 7

03 A	CHANGED FILTER ON RX-LO OUTPUT.	DJW				28/04/98
REV/ISS	AMENDMENTS	DRAWN	CHKD	D.O.	APVD	DATE